

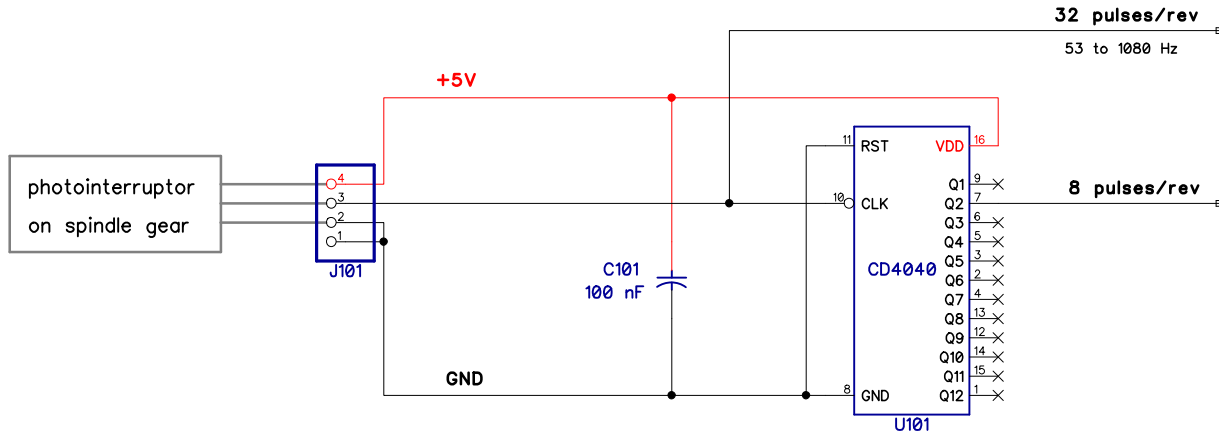
2

1

REVISIONS				
ZONE	REV	DESCRIPTION	DATE	APPROVED

B

B



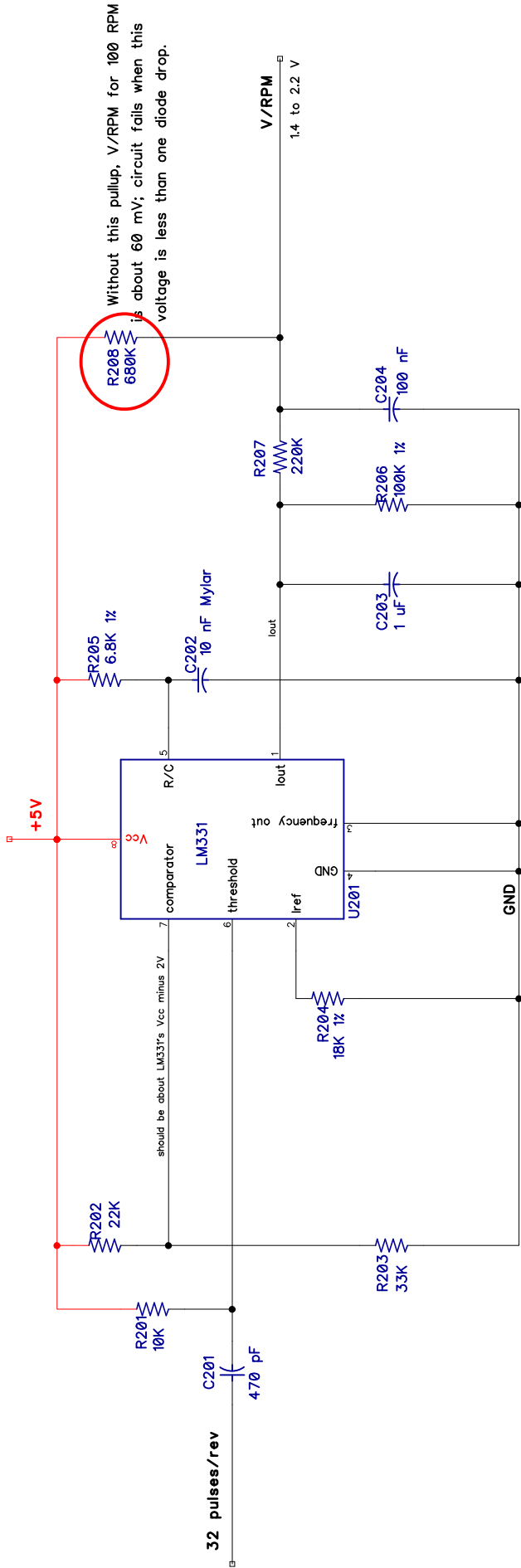
A

A

pulse finder	lathe timing light			
2014-06-22	SIZE	FSCM NO.	DWG NO.	REV 7
Robert R. Fenichel	SCALE			1 pulse finder

2

1



frequency-to-voltage conversion

lathe timing light

2014-06-26

SIZE FSCM NO.

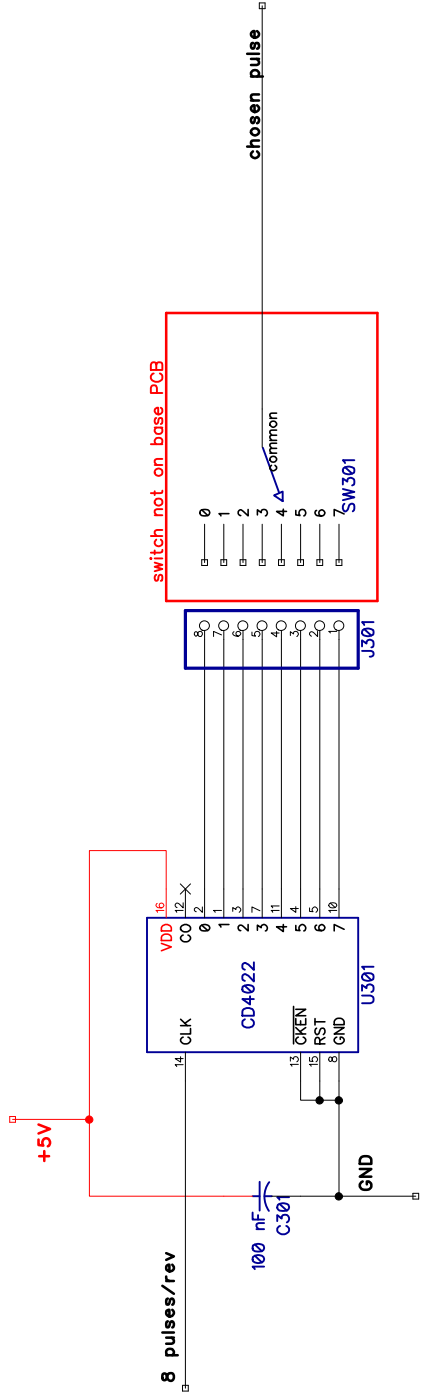
DWG NO.

REV 7

Robert R. Fenichel

SCALE

2 freq --> voltage



pulse selection

lathe timing light

photointerruptor-based

2014-04-24

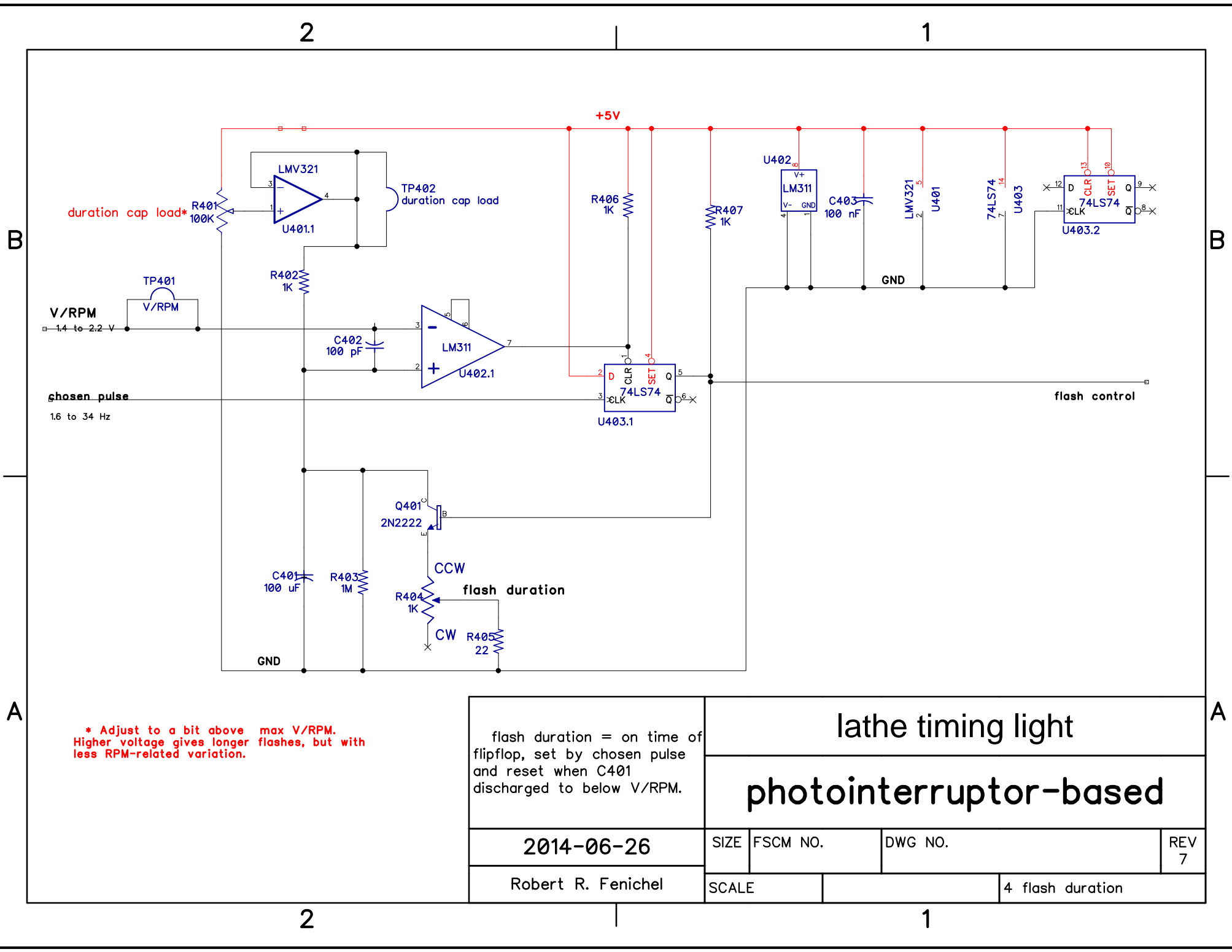
SIZE FSCM NO. DWG NO.

REV 7

Robert R. Fenichel

SCALE

3 pulse selection



* Adjust to a bit above max V/RPM.
Higher voltage gives longer flashes, but with less RPM-related variation.

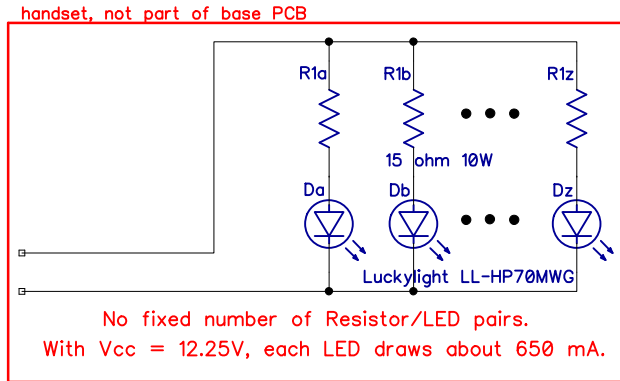
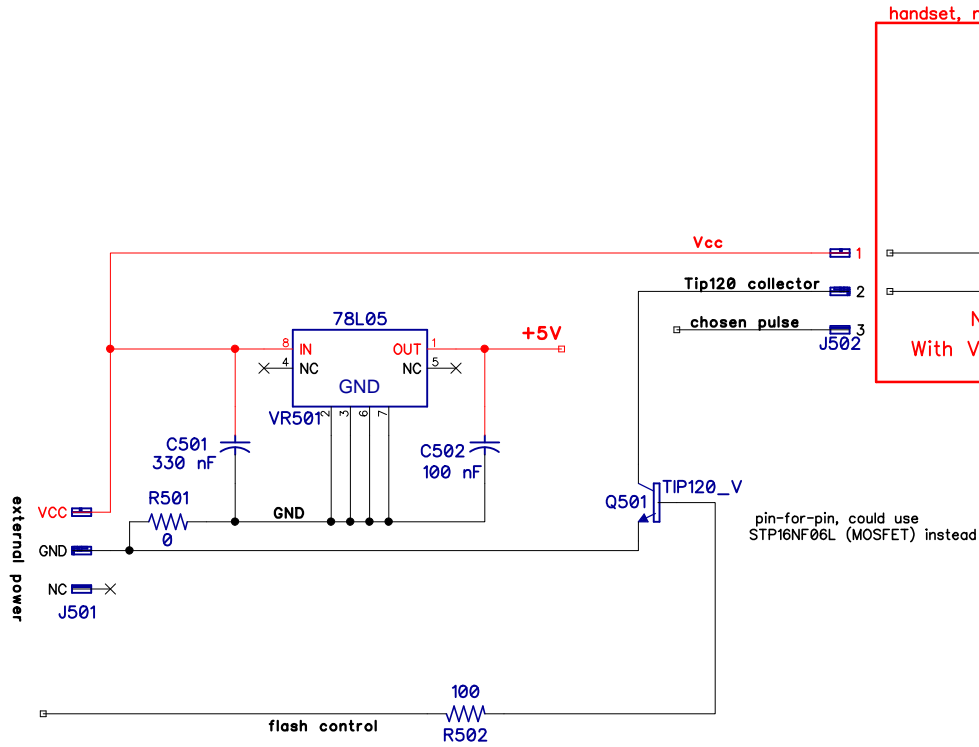
lathe timing light			
photointerruptor-based			
2014-06-26		SIZE	FSCM NO.
Robert R. Fenichel		DWG NO.	REV 7
SCALE		4 flash duration	

2

1

B

B



A

A

flash control and +5V power	lathe timing light			
	photointerruptor-based			
2014-06-26	SIZE	FSCM NO.	DWG NO.	REV 7
Robert R. Fenichel	SCALE			5 flash control

2

1