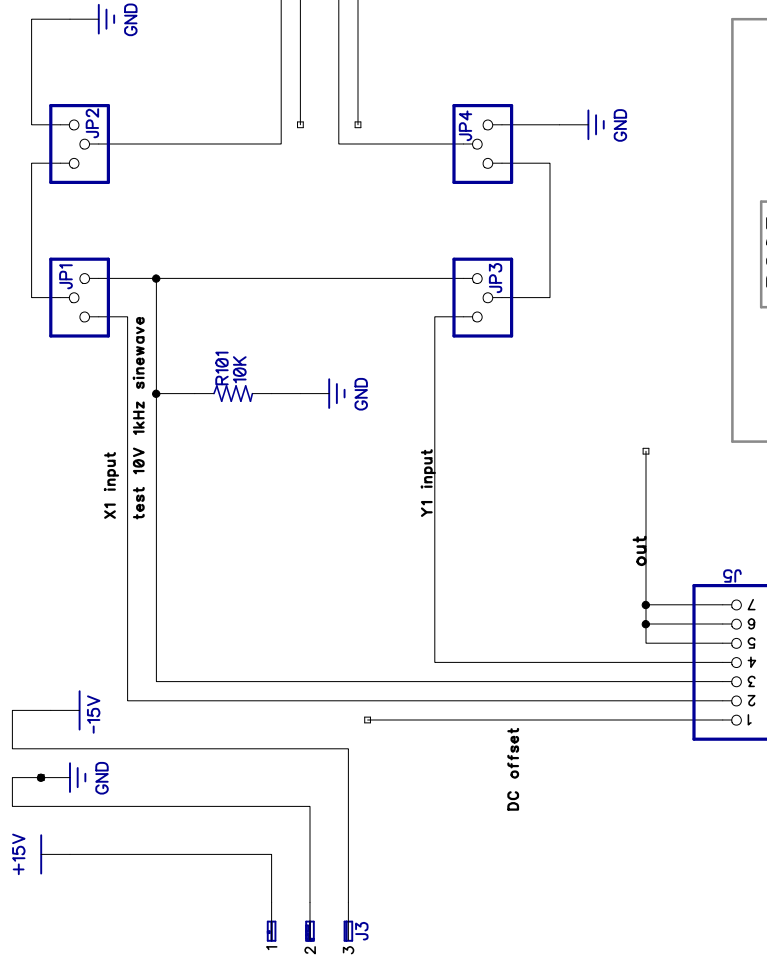


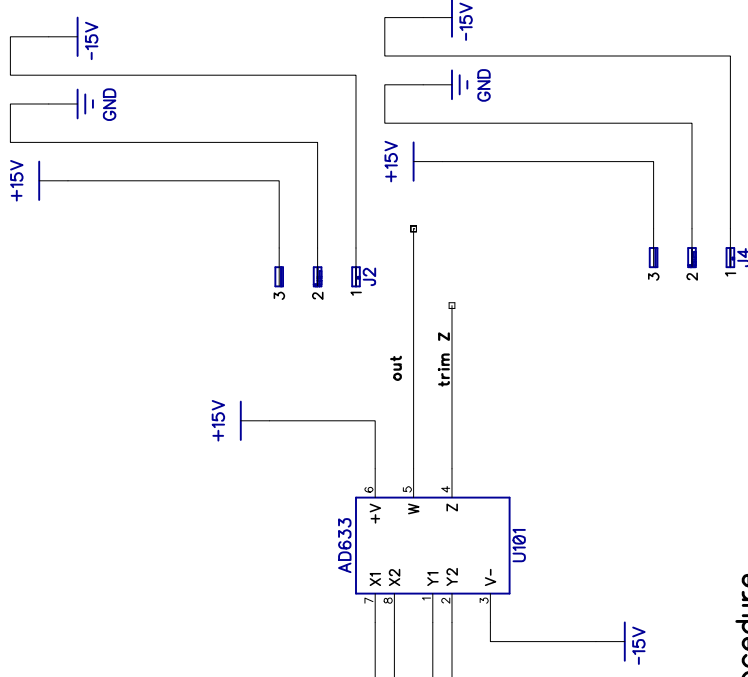
These AD633 pinouts are those of the SOIC part, not the DIP.

redundant power connections to allow daisy-chaining.



chaos multiplier  
2016-07-07  
sheet 1 of 2

from <http://www.glenstuff.com/spac/css/schematics/multsch.pdf>



trim procedure

jumpers 1, 2, and 3 to right

jumper 4 to left

apply 10V 1 kHz sine wave

trim R203 for minimum AC out

jumper 4 to right

jumper 2 to left

trim R208 for minimum AC out

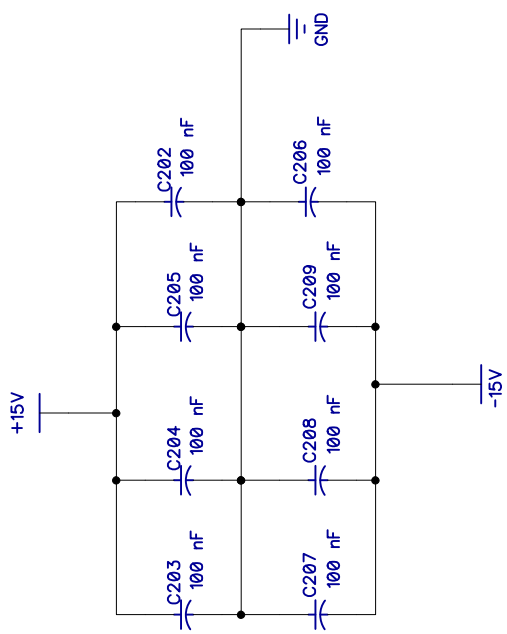
remove sine wave

jumper 2 to right

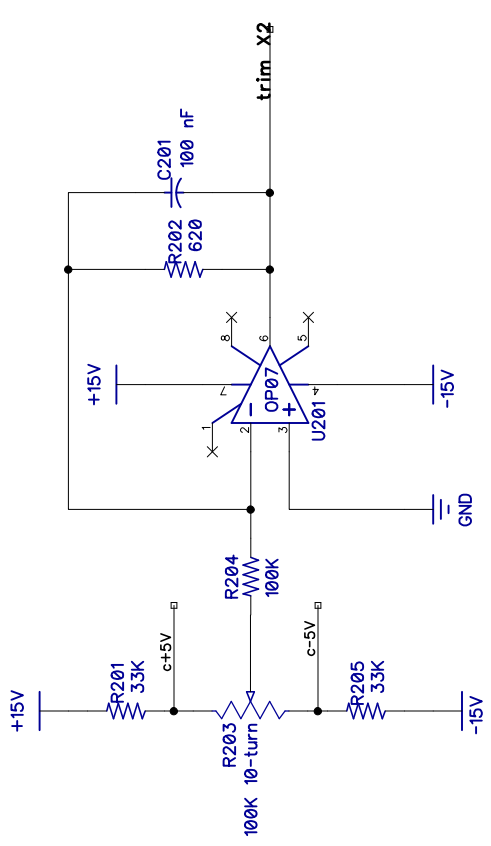
trim R209 for minimum DC offset out

all jumpers to left

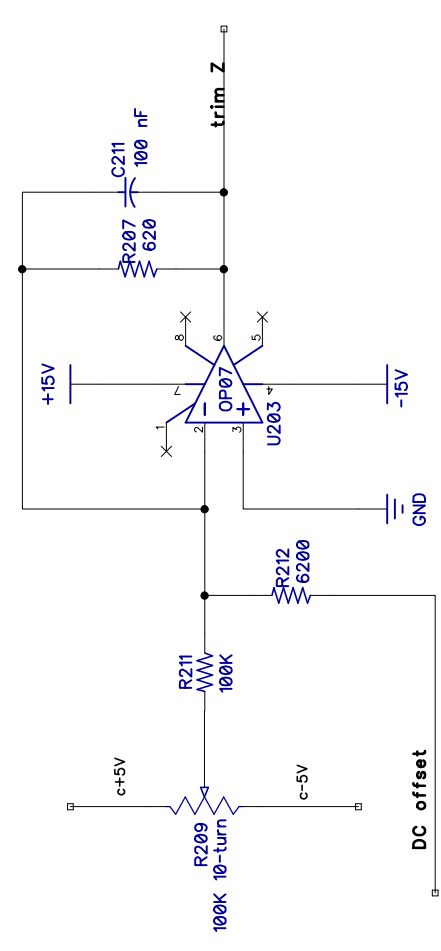
1



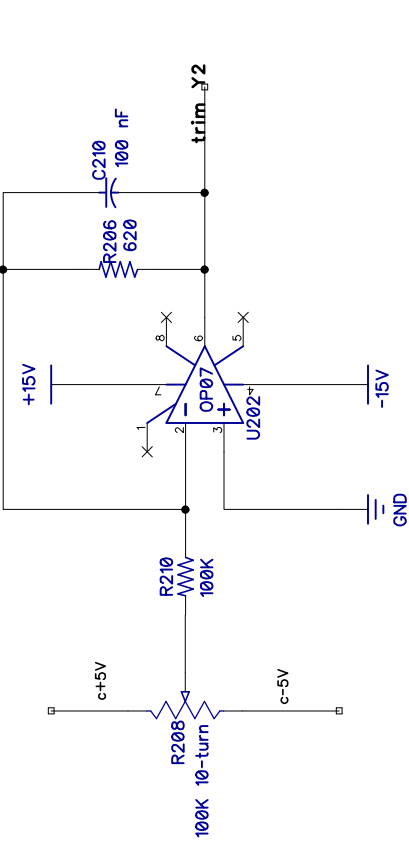
2



A



2



chaos multiplier  
 2016-07-07  
 sheet 2 of 2