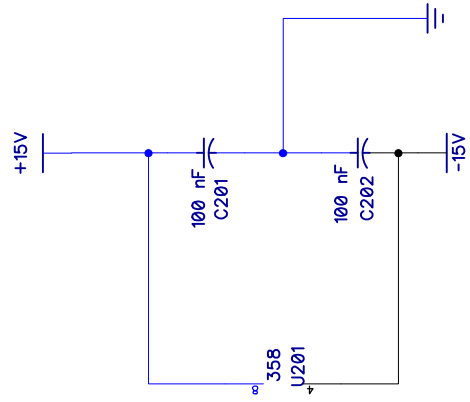


B

B

A

A



# oscilloscope rotator

Robert R. Fenichel

SIZE FSCM NO.

DWG NO.

REV

2016-02-02

SCALE

sheet 2 of 2

multipliers