

1

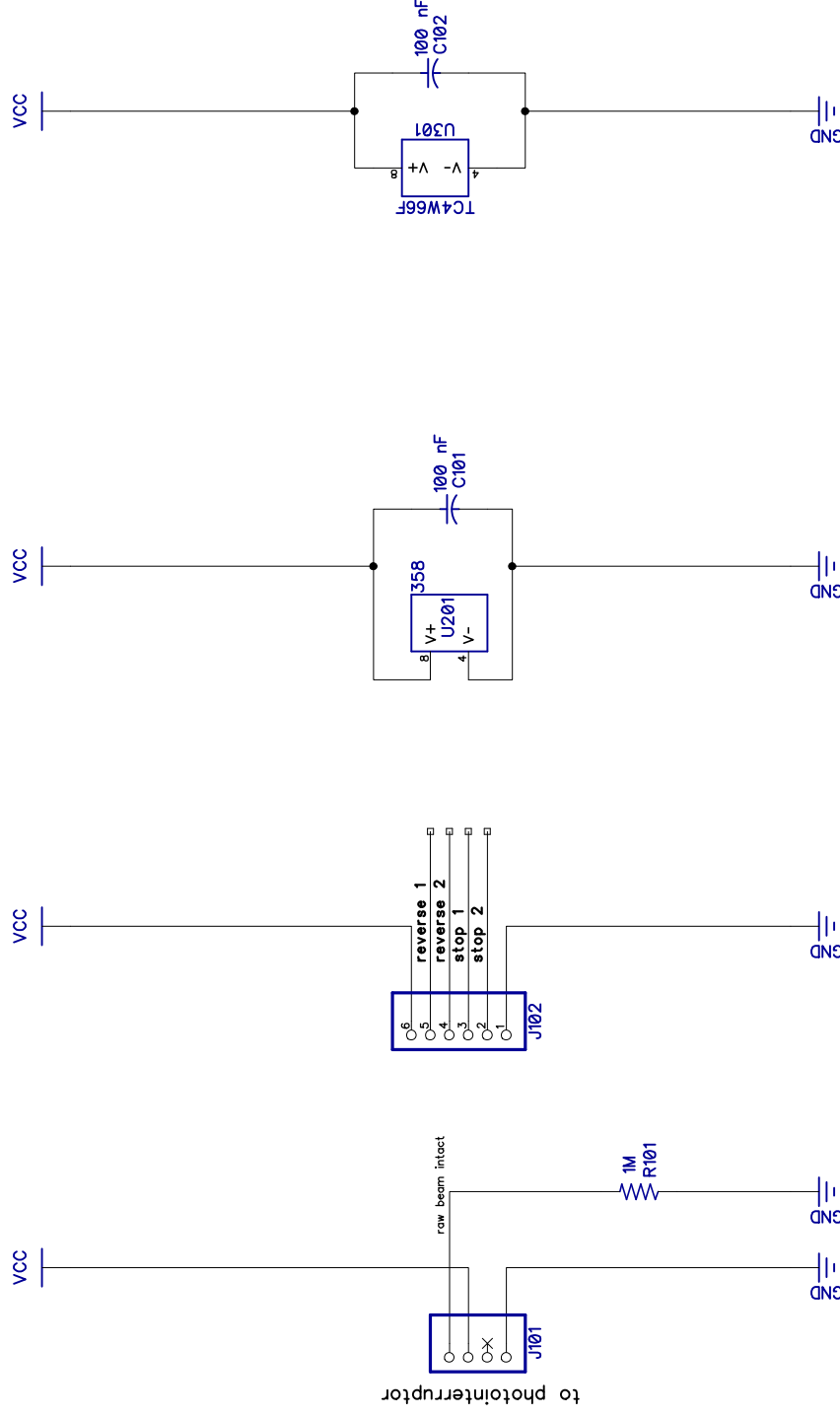
2

B

A

B

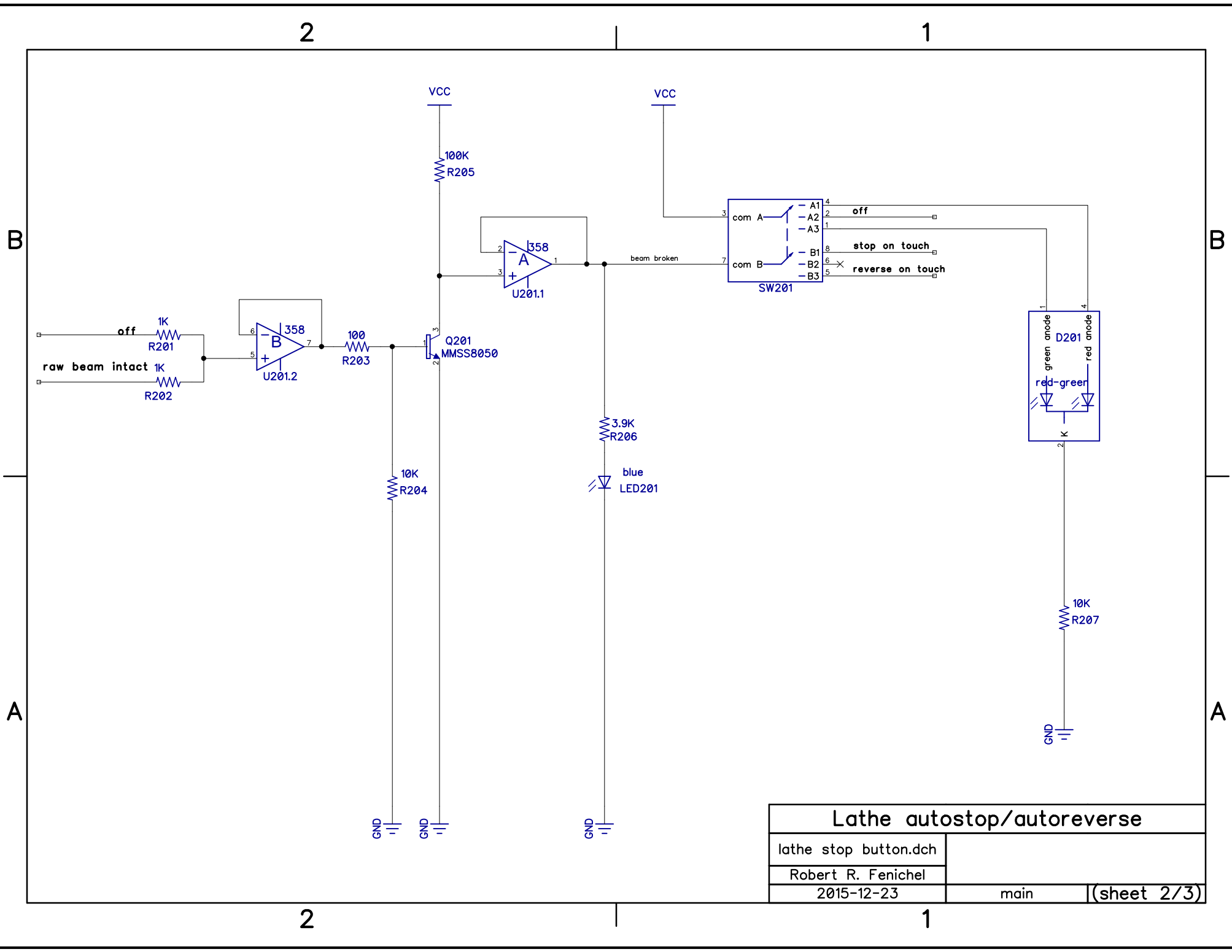
A



Lathe autostop/autoreverse	
lathe stop button.dch	
Robert R. Fenichel	
2015-12-23	connectors (sheet 1/3)

1

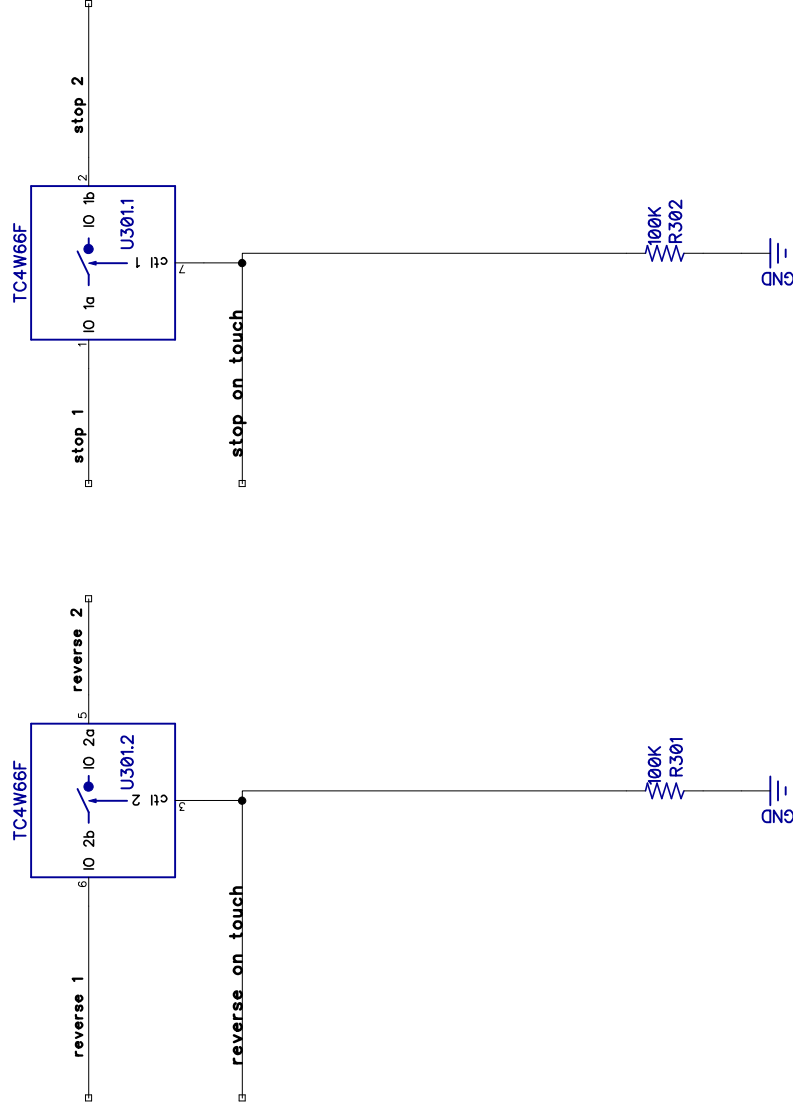
2



Lathe autostop/autoreverse		
lathe stop button.dch		
Robert R. Fenichel		
2015-12-23	main	(sheet 2/3)

2

1



B

B

A

A

2

1

Lathe autostop/autoreverse	
lathe stop button.dch	
Robert R. Fenichel	
2015-12-23	switches (sheet 3/3)

